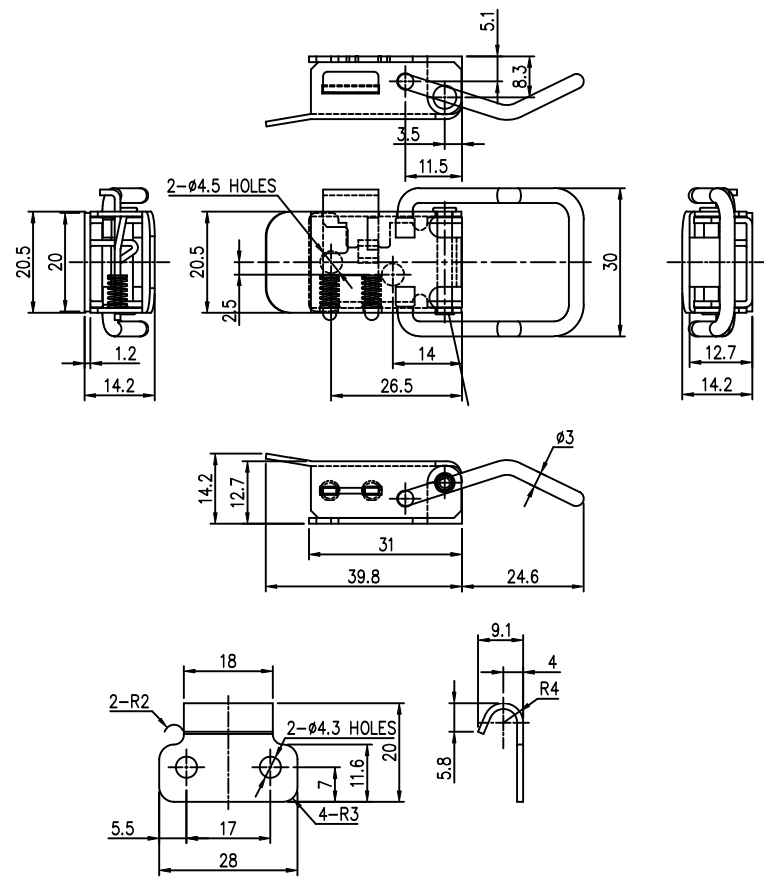


MARK	DATE	DETAIL OF REVISION	CHECK	APP.
△				

SM-6S-316



- ??
 1. ?? ?? ?? ?? ?
 2. ?? ?? ?? ?? ?? ?? ?? ?? ?? ??
 3. ??? ? ? R? ?R? ??
 4. ?? ?? ?? ?? ?? ??

GENERAL TOLERANCE

수량	公差	A LEVEL	B LEVEL	C LEVEL
1-4	±0.07	±0.10	±0.15	
4-6	±0.10	±0.20	±0.25	
16-63	±0.15	±0.30	±0.50	
63-250	±0.20	±0.55	±1.00	
250-500	±0.30	±0.80	±1.50	
500-1000	±0.50	±1.50	±2.50	

부품번호	번호	명칭	수량	재료	비고
Part No.	No.	Part Name	Q'ty	Material	Remarks
			2/1		
DRAWN			CHECKED	APPROVED	DRAWN
DATE			TITLE	REVISION	
DATE			MM	BOOK No.	
DATE			A1	BOOK No.	
DATE			2009. 02. 16	DWG No. LWP-TP1005-0	

